

SLIDE

design Davide Brembilla

The project starts from the decomposition of a flat surface, creating dynamic volumes. The sculptural forms of the heating element

has great impact in the domestic atmosphere. SLIDE has a high heating output, 600 to 900 watt, and the different color finishes

make it the leading part in the bathroom.

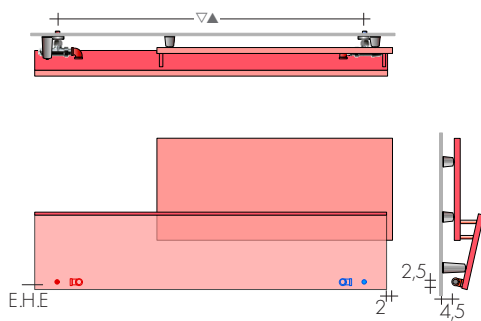
DIMENSIONS

Width: 46/123/163 cm

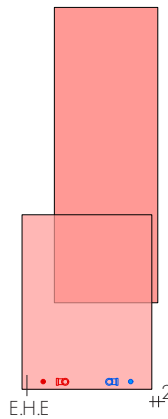
Height: 53/131/171 cm

Depth: 15 cm

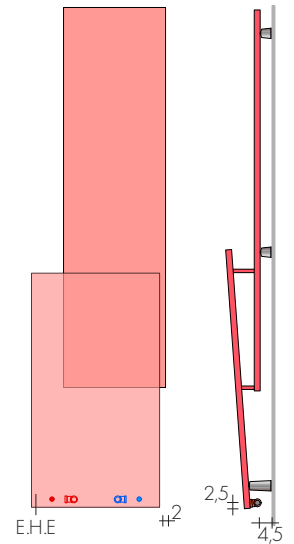
Depth: from wall 19 cm



SLIDE 53 - 123
SLIDE 53 - 163



SLIDE 131 - 46



SLIDE 171 - 46

MODEL	H1 cm	white sablé standard €	EN 442 Δt 50 K wall	▲ ▽ t.c. cm	Height H cm	Width L cm	Weight M Kg	Volume V dm ³	MIXED VERSION*	
									class II E.H.E. with sleeve W	€
SLIDE	53-123	1074,10	682	106	53(35-27)	120 (80)	19,50	7,2	650	109,90
SLIDE	53-163	1219,70	881	146	53(35-27)	160 (100)	22,20	9,2	900	117,00
SLIDE	131-46	1031,50	622	30	131(101-61)	46(44-35)	19,20	6,9	650	109,90
SLIDE	171-46	1188,30	916	30	171(131-81)	46(44-35)	26,00	9,0	900	117,00

*Reverse Brem valves

STANDARD PRODUCTION

White "sablé" paintwork - white M.. brackets
Tolerance ± 3 mm - Air vent $\varnothing 1/8"$
MAXIMUM OPERATING PRESSURE 4 BAR

PRODUCTION ON REQUEST

Paintwork to BREM color list with M4-M8
chrome-plated brackets +15/25%
Special fittings, page 292,293

STANDARD FITTING

REG $\varnothing 3/8"$
BREM valves, page 294
Electric version e.Slide, page 272

