

TRAP

design Luigi Brebbia

TRAP is the solution for those wanting a creative, atypical alternative to enliven the usual lines of a bathroom.

An irregular trapezium used for an innovative towel heater. More than just a useful, practical radiator,

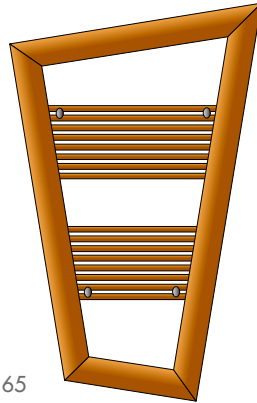
TRAP is a proper piece of sculpture to furnish and express great personality.

DIMENSIONS

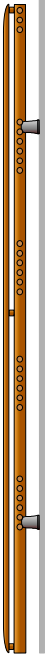
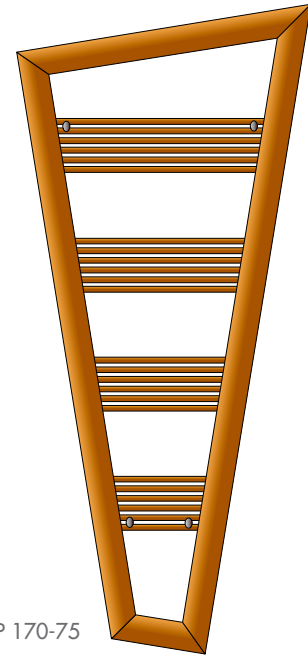
Width 65,2 / 76,3 cm
Height 103 / 168 cm
Depth 4,8 cm
Depth from wall 9 cm



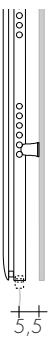
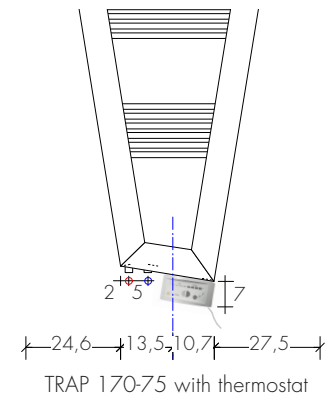
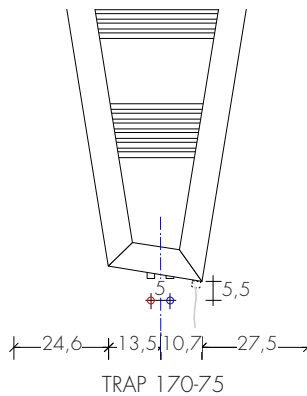
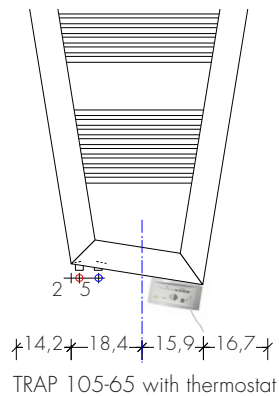
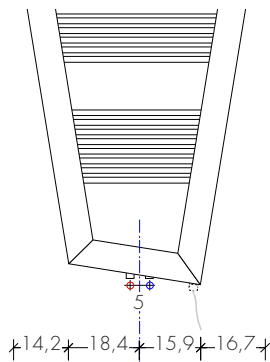
TRAP 105-65



TRAP 170-75



MODEL	H/L cm	white sablé standard €	EN 442 Δt 50 K watt	$\blacktriangle \nabla$ t.c. •cm	Height H cm	Width L cm	Weight M Kg	Volume V dm ³	MIXED VERSION Cl. II E.H.E. with sleeve	
									W	€
TRAP	105-65	795,00	632	5	103	65,2	10,0	3,6	R650II	109,90
TRAP	170-75	1052,40	921	5	168	76,3	14,8	5,4	R900II	117,00
										Digital Thermostat p.243



MINIMUM OPERATING PRESSURE 1,5 BAR
MAXIMUM OPERATING PRESSURE 3 BAR

STANDARD PRODUCTION

White "sablé" paintwork - white M4 brackets
Tolerance ± 3 mm - Air vent $\varnothing 1/8"$

PRODUCTION ON REQUEST

Paintwork to Brem color list with
chrome-plated brackets

+15/25%

STANDARD FITTING

EG $\varnothing 3/8"$
for angled valves

